

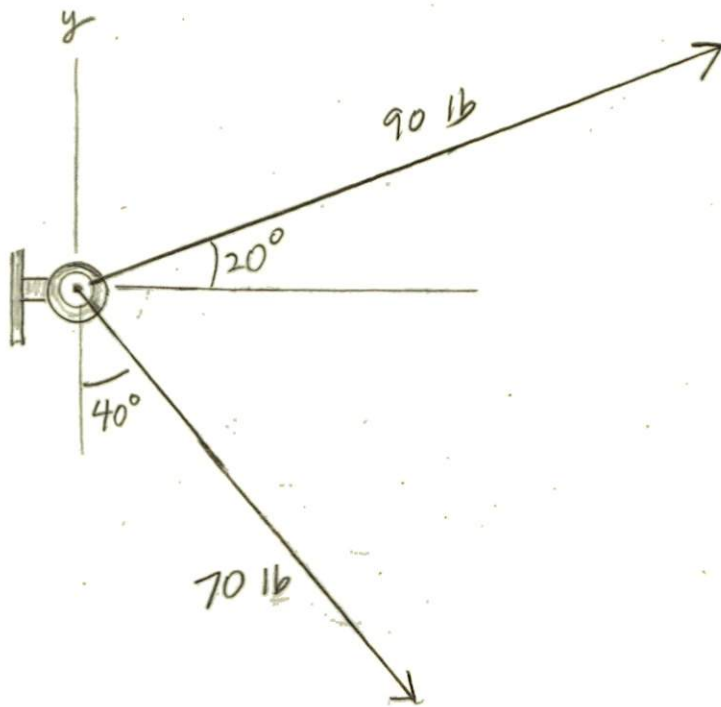
Show all work for full credit

All angles are to be measured ccw from the +x-axis

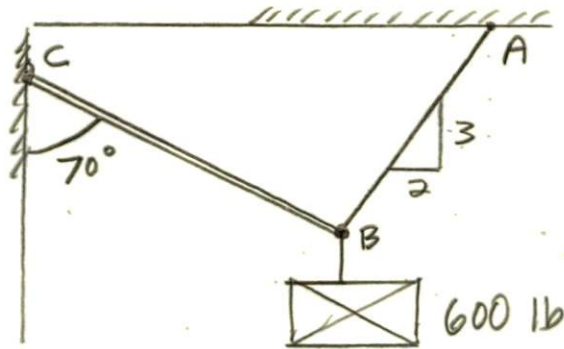
All vector answers are to be positive scalar, true direction

Name _____

1. Determine the resultant of the two forces acting on the ring using the parallelogram Law or Triangle Rule.



3. Determine the force in the boom and the cable using (a) the force-triangle method and (b) rectangular components and equilibrium equations.

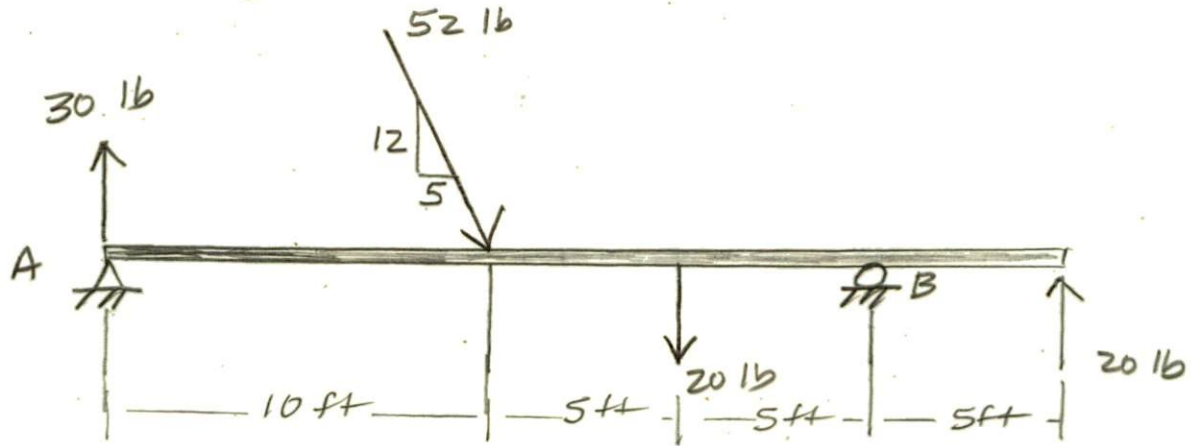


Solution.

(a) Force-Triangle Method

(b) Equilibrium Equations

4. Determine the reactions at the supports for the forces acting on the beam.



Solution -